

Wiring devices

Asfora

2013 catalogue



Schneider
Electric

Contents

Presentation	4
Functional products	
Switches and push-buttons	6
Socket-outlets	8
Communication outlets	9
Dimmers.	10
Accessories	11
Technical information	
Switches and push-buttons	12
Dimmers.	13
Antenna outlets.	14
Surface-mounted boxes.	16
Dimensions	17
Reference number overview	18

Asfora makes the life easier...



1 > **2** > **15**
 Finish > Colours : white and cream > Basic functions



Lighting and comfort



Roller blinds
 Adjust the room's natural light according to the weather and the customer mood.



Switch with locator lamp
 Easily find the light switches in the dark.



Dimmer
 Create just the right ambiance the easy way.



Connectivity



TV/R/SAT outlets
 Access all of the media from a single source.



RJ45 data outlets
 Plug in the telephone, TV, PC, or gaming console to keep the digital world close at hand.



Loudspeaker outlets
 Enjoy music from a single source throughout home and hide unsightly wiring inside walls.

...and your job easier

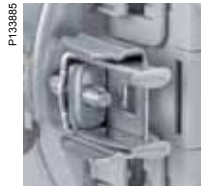
Safety first



The wiring diagram is on the back of the insert, helping you to avoid wiring errors.



- The insert design minimizes contact with electrified parts.
- The funnel-shaped terminal inputs cover the entire length of exposed wire, **preventing short circuits.**



The claws are protected to keep fingers safe.



All Asfora products meet the latest standards and are manufactured from robust materials chosen to withstand everyday use for years to come.

Quick and easy to install



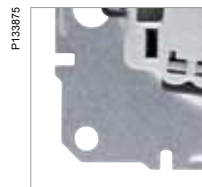
Wire releasers are easy to handle, making switches quick and easy to connect and disconnect.



Input holes are funnel-shaped to guide wires right to the terminal.



- Because outlet terminals are aligned, all wires can be cut to the same length at once.
- Outlets feature **pre-opened terminals.**

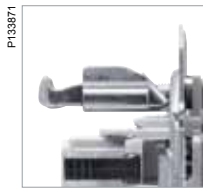


Mounting plates feature alignment slots to fine tune the position of each unit for a perfect finish.

Reliability and robustness



Galvanized metal mounting plates offering excellent flex strength and resistance to corrosion.





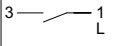
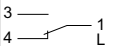
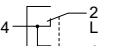
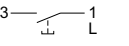
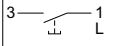
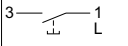
Mounting claws on outlets are long and strong to withstand hundreds of mounting and dismounting over time.



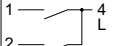
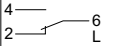
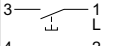
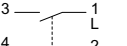




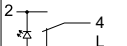
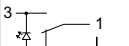
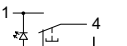
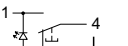
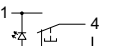
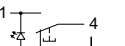
The Asfora range delivers the quality design and manufacturing you expect from Schneider Electric.

Common characteristics

- Voltage: 250 V AC
- Cables: 2 x 2.5 mm² rigid/flexible cables
- Certification: VDE
- Quality mark: CE

1-pole					1-pole with pictogram				
									
	One-way switch	Two-way switch	Intermediate switch	Push-button	Push-button "bell"	Push-button "light"			
									
Degrees of protection	IP 20	IP 44	IP 20	IP 44					
Rated current	10 AX				10 A				
Terminals Colour									
Screwless	<input type="checkbox"/> white	EPH0100121	EPH0100221	EPH0400121	EPH0400421	EPH0500121	EPH0700121	EPH0800121	EPH0900121
	<input type="checkbox"/> cream	EPH0100123	EPH0100223	EPH0400123	EPH0400423	EPH0500123	EPH0700123	EPH0800123	EPH0900123
TSE certification	■		■		■	■	■	■	■
Screw	<input type="checkbox"/> white	EPH0100321		EPH0400321		EPH0500321	EPH0800321		
	<input type="checkbox"/> cream	EPH0100323		EPH0400323		EPH0500323	EPH0800323		
UKR certification	■		■	■	■	■			

1-pole			2-pole		
					
Two circuits switch	Double two-way switch	Double push-button	2-pole switch		
					
Degrees of protection	IP 20		10 A	10 AX	
Rated current	10 AX		10 A	10 AX	
Terminals Colour					
Screwless	<input type="checkbox"/> white	EPH0300121	EPH0600121	EPH1100121	EPH0200121
	<input type="checkbox"/> cream	EPH0300123	EPH0600123	EPH1100123	EPH0200123
TSE certification	■	■	■	■	■
Screw	<input type="checkbox"/> white	EPH0300321	EPH0600321	EPH1100321	EPH0200321
	<input type="checkbox"/> cream	EPH0300323	EPH0600323	EPH1100323	EPH0200323
UKR certification	■	■	■		

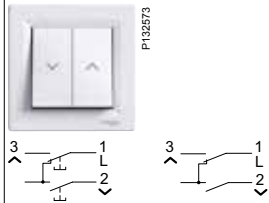
1-pole with locator lamp				1-pole with locator lamp and pictogram				
								
One-way switch	Two-way switch	Push-button	Push-button "bell"	Push-button "light"	Push-button "stairs"			
								
Degrees of protection	IP 20							
Rated current	10 AX	16 AX	10 AX	10 A				
Terminals Colour								
Screwless	<input type="checkbox"/> white	EPH1400121	-	EPH1500121	EPH1600121	EPH1700121	EPH1800121	-
	<input type="checkbox"/> cream	EPH1400123	-	EPH1500123	EPH1600123	EPH1700123	EPH1800123	-
TSE certification	■		■	■	■	■		
Screw	<input type="checkbox"/> white	EPH1400321	EPH1430321	EPH1500321	EPH1600321	EPH1700321	-	EPH1900321
	<input type="checkbox"/> cream	EPH1400323	EPH1430323	EPH1500323	EPH1600323	EPH1700323	-	EPH1900323
UKR certification	■	■	■	■	■			■

Mechanisms for roller blinds

Characteristics

- Voltage: 250 V AC
- Rated current: 10 A
- Cables: 2 x 2.5 mm² rigid/flexible cables
- Degree of protection: IP 20
- Certificates: VDE (Only for push-button)
- Quality mark: CE (For switch and push-button)

Mechanism for roller blinds



Terminals	Colour	Push-button	Switch
Screwless	<input type="checkbox"/> white	EPH1300121	EPH1300521
	<input type="checkbox"/> cream	EPH1300123	EPH1300523
TSE certification		■	
Screw	<input type="checkbox"/> white	EPH1300321	
	<input type="checkbox"/> cream	EPH1300323	
UKR certification		■	

Key card switches

Characteristics

- Rated voltage: 250 V AC
- Rated current: 10 A
- Cables: 2 x 2.5 mm² rigid/flexible cables
- Degree of protection: IP 20
- Certification: VDE

Switch



Terminals	Colour	
Screwless	<input type="checkbox"/> white	EPH6200121
	<input type="checkbox"/> cream	EPH6200123
UKR certification		■

Common characteristics

- Voltage: 250 V AC
- Rated current: 16 A
- Cables: 2 x 2.5 mm² rigid/flexible cables



Degrees of protection	IP 20			
Certification	TSE, B, UKR	B, UKR	B	
Terminals Colour				
Screw	<input type="checkbox"/> white	EPH3000121	EPH9700121	EPH9700221
	<input type="checkbox"/> cream	EPH3000123	EPH9700123	EPH9700223



Degrees of protection	IP 20		IP 44	IP 20			
Certification	TSE, B		B	TSE, B	ESC	B	
Terminals Colour							
Screw	<input type="checkbox"/> white	EPH2800121	EPH2800221	EPH2800321	EPH2800421	EPH9800121	EPH9800221
	<input type="checkbox"/> cream	EPH2800123	EPH2800223	EPH2800323	EPH2800423	EPH9800123	EPH9800223









Degrees of protection	IP 20			IP 44	IP 20		
Certification	TSE, VDE, UKR			VDE, UKR	TSE, VDE	VDE, UKR	
Terminals Colour							
Screw	<input type="checkbox"/> white	EPH2900121	EPH2900221	EPH3100121	EPH3100321	EPH2900521	EPH9900121
	<input type="checkbox"/> cream	EPH2900123	EPH2900223	EPH3100123	EPH3100323	EPH2900523	EPH9900123

Antenna outlets

Common characteristics








- Degree of protection: IP 20
- Quality mark: CE

	TV	TV-R	TV-SAT	TV-R-SAT	TV-SAT-SAT	SAT
						
Type of connector	IEC Male	IEC male + female	IEC male + F	IEC male + female + F	IEC male + F + F	F
Type	Colour					
Ending (1 dB)	<input type="checkbox"/> white <input type="checkbox"/> cream	EPH3200121 EPH3200123	EPH3300121 EPH3300123	EPH3400121 EPH3400123	EPH3500121 EPH3500123	EPH3700121 EPH3700123
Intermediate (4 dB)	<input type="checkbox"/> white <input type="checkbox"/> cream	EPH3200221 EPH3200223	EPH3300221 EPH3300223	EPH3400221 EPH3400223	EPH3500221 -	EPH3700221 EPH3700223
Intermediate (8 dB)	<input type="checkbox"/> white <input type="checkbox"/> cream	EPH3200321 EPH3200323	EPH3300321 EPH3300323	EPH3400321 EPH3400323	EPH3500321 EPH3500323	- -
Individual (1 dB)	<input type="checkbox"/> white <input type="checkbox"/> cream	- -	- -	EPH3400421 EPH3400423	- -	- -

Data and telephone outlets

Common characteristics

- Degree of protection: IP 20

	RJ11	RJ45		
				
Type	Colour	Cat. 5e UTP	Cat. 5e STP	Cat. 6 UTP
Single	<input type="checkbox"/> white <input type="checkbox"/> cream	EPH4100121 EPH4100123	EPH4300121 EPH4300123	EPH5000121 EPH5000123
Terminals		Screw	IDC	IDC
	RJ11	RJ45		RJ45 + RJ12
				
Type	Colour	Cat. 5e UTP		Cat. 6 UTP
Double	<input type="checkbox"/> white <input type="checkbox"/> cream	EPH4200121 EPH4200123	- -	EPH4800121 EPH4800123
Terminals		Screw	IDC	IDC

Loudspeaker outlets

Characteristics

- Cables: rigid cables
- Degree of protection: IP20

Double loudspeaker outlets





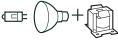
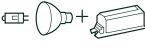


Terminals	Colour	
Screwless	<input type="checkbox"/> white <input type="checkbox"/> cream	EPH5700121 EPH5700123

Rotary dimmers

Common characteristics

- Rated voltage: 230 V AC 50 Hz
- Cables: 2 x 2.5 mm² rigid/flexible cables
- Operating temperature: +5°C to +35°C
- Degree of protection: IP 20
- Certification: FIMKO, NEMKO, SEMKO, TSE, VDE, UKR
- Quality mark: CE

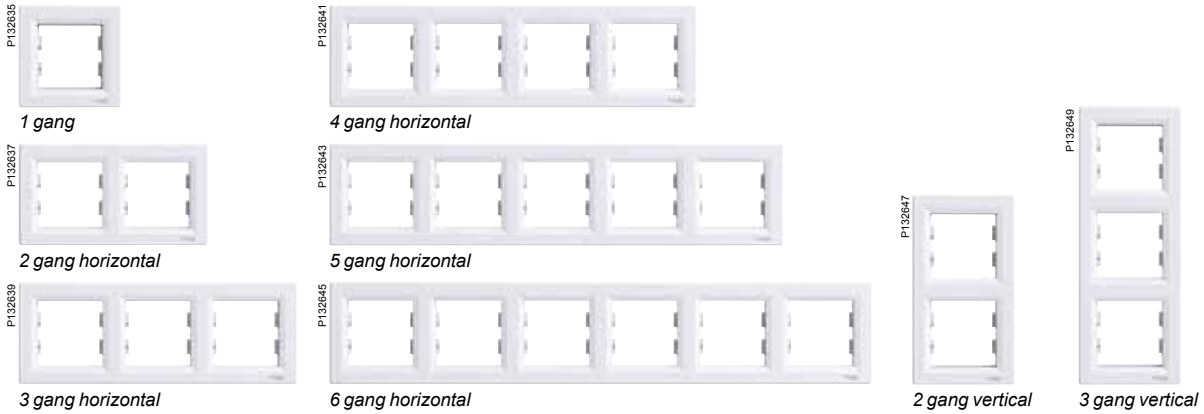
		600 VA, two-way switch		315 VA, two-way switch	
					
Terminals	Colour		with locator lamp ⁽¹⁾		
Screw (Pillar type)	<input type="checkbox"/> white	EPH6400121	EPH6500121	EPH6600121	
	<input type="checkbox"/> cream	EPH6400123	EPH6500123	EPH6600123	
Others characteristics					
Short-circuit protection		Fuse F6, 3 AH - 250 V		Electronic	
Loads					
	230 V AC incandescent lamps	40-600 W	40-600 W	20-315 W	
	230 V AC halogen lamps	40-600 W	40-600 W	20-315 W	
	LV halogen lamps with ferromagnetic transformer	40-600 VA	40-600 VA	-	
	LV halogen lamps with electronic transformer	-	-	20-315 VA	

⁽¹⁾ Locator lamp is under the rotary control button.

Cover frames

Characteristics

- Degree of protection: IP 20

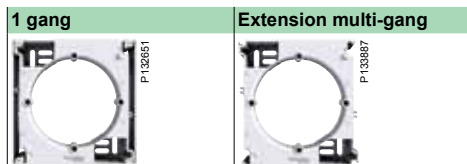


	1 gang	2 gang	3 gang	4 gang	5 gang	6 gang
Colour		Horizontal				
<input type="checkbox"/> white	EPH5800121	EPH5800221	EPH5800321	EPH5800421	EPH5800521	EPH5800621
<input type="checkbox"/> cream	EPH5800123	EPH5800223	EPH5800323	EPH5800423	EPH5800523	EPH5800623
Colour		Vertical				
<input type="checkbox"/> white	-	EPH5810221	EPH5810321	-	-	-
<input type="checkbox"/> cream	-	EPH5810223	EPH5810323	-	-	-

Surface-mounted boxes

Characteristics

- Degree of protection: IP 20
- Installation: screwless+screw

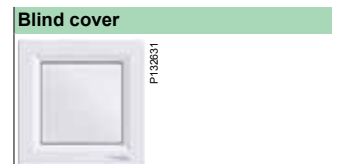


	1 gang	Extension multi-gang
Colour		
<input type="checkbox"/> white	EPH6100121	EPH6100221
<input type="checkbox"/> cream	EPH6100123	EPH6100223

Blind covers

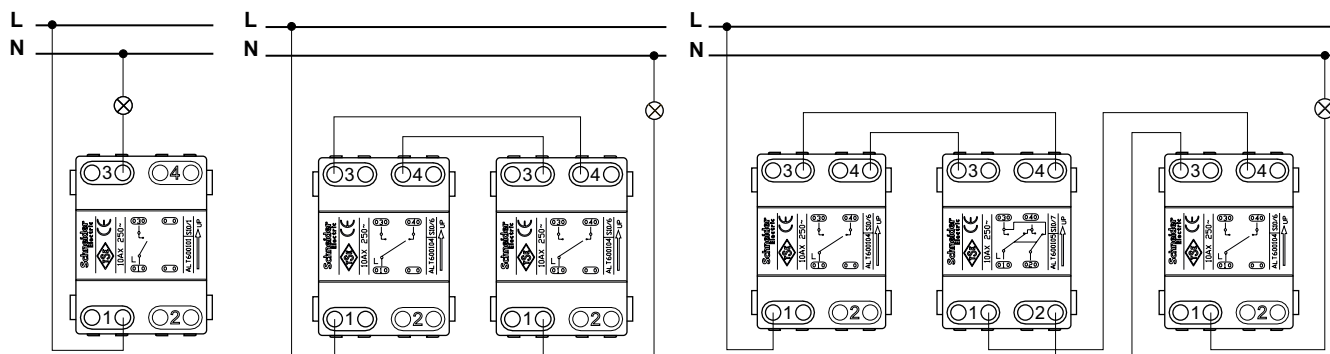
Characteristics

- Degree of protection: IP 20
- Installation: screwless + screw



	Blind cover
Colour	
<input type="checkbox"/> white	EPH5600121
<input type="checkbox"/> cream	EPH5600123

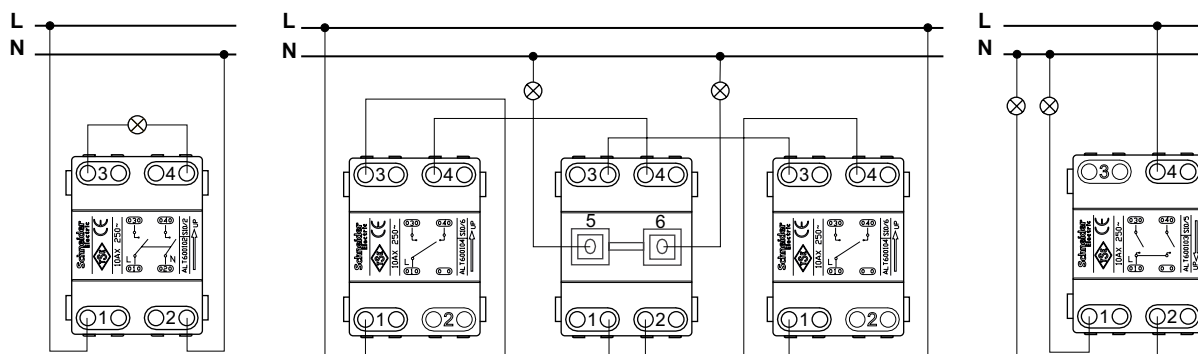
Connection examples



One-way switch

2 two-way switches

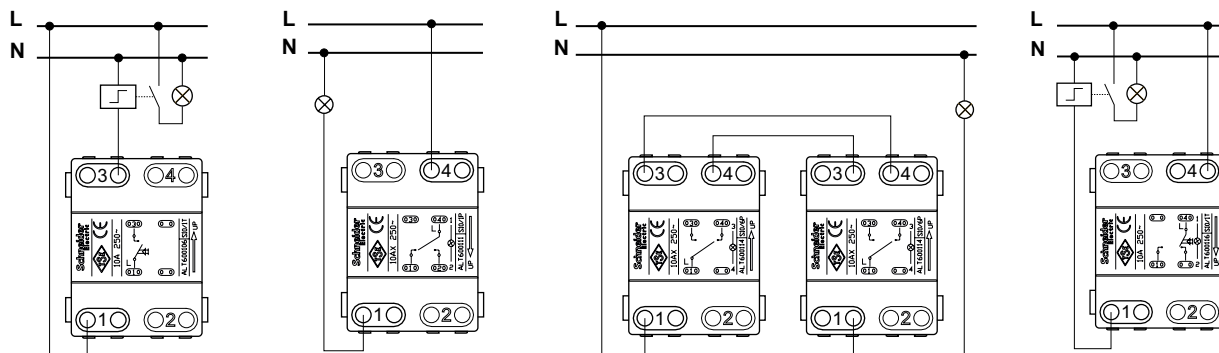
2 two-way switches + 1 intermediate switch



2-pole switch

2 two-way switches + 1 double two-way switch acting on two different loads

Two circuit switch

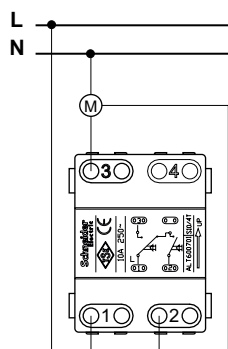


Push-button

One-way switch with locator lamp

2 two-way switches with locator lamps

Push-button with locator lamp



Roller blind push-button

Technical information

Dimmers

Rotary electronic dimmer

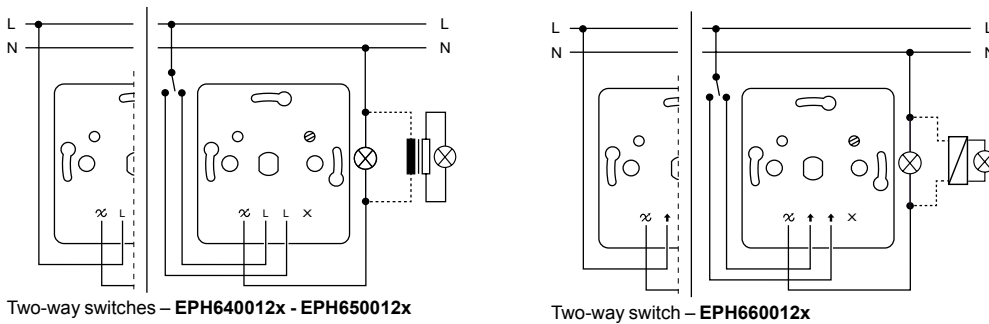
Installation

You must reduce the maximum allowed load due to the decreased heat dissipation when the device is not mounted into a single standard flushmounted mounting box.

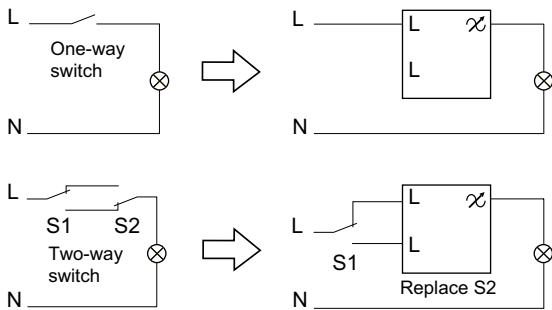
Load reduction by	Mounted in cavity walls *	Several installed together in combination *	In 1-gang or 2-gang surface-mounted housing	In 3-gang surface-mounted housing
25 %	■	■		
30 %			■	
50 %				■

* If several factors apply, add the load reductions together.

Connections



Substitution examples



Technical information

Antenna outlets

Type		TV			TV-R		
		Intermediate 1 dB	Intermediate 4 dB	Intermediate 8 dB	Ending 1 dB	Intermediate 4 dB	Intermediate 8 dB
Ref. white		EPH3200121	EPH3200221	EPH3200321	EPH3300121	EPH3300221	EPH3300321
Ref. cream		EPH3200123	EPH3200223	EPH3200323	EPH3300123	EPH3300223	EPH3300323
Loss		1	4	8	1	4	8
Operating Frequency	SAT	MHz	-	-	-	-	-
	TV/VHF		5-862	5-862	5-862	118-470	118-470
	TV/UHF		5-862	5-862	5-862	470-830	470-830
	R		-	-	-	10-108	10-108
Pass through attenuation	SAT	dB	-	-	-	-	-
	TV/VHF		1	4	8	1.5	3.7
	TV/UHF		1	4	8	2.8	4.6
	R		-	-	-	11.1	9.3
Outlet attenuation		dB	1	4	8	0.5	0.5
DC Current			-	-	-	-	-
Outlets/line			-	-	-	1	4

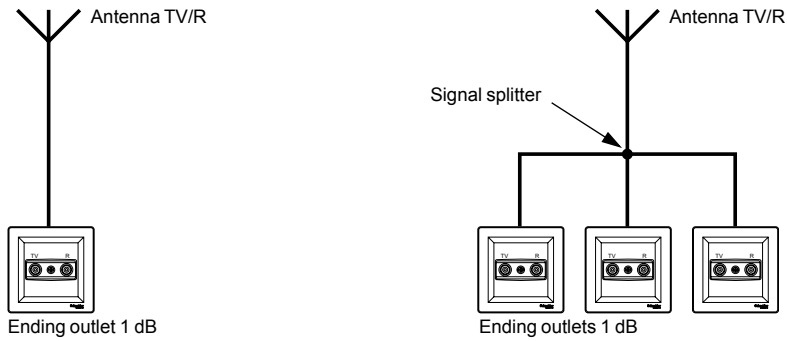
Type		TV-SAT				TV-R-SAT		
		Ending 1 db	Intermediate 4 dB	Intermediate 8 dB	Individual 1 dB	Ending 1 db	Intermediate 4 dB	Intermediate 8 dB
Ref. white		EPH3400121	EPH3400221	EPH3400321	EPH3400421	EPH3500121	EPH3500221	EPH3500321
Ref. cream		EPH3400123	EPH3400223	EPH3400323	EPH3400423	EPH3500123	EPH3500223	EPH3500323
Loss		1	4	8	1	1	4	8
Operating Frequency	SAT	MHz	950-2400	950-2400	950-2400	950-2400	950-2400	950-2400
	TV/VHF		118-470	118-470	118-470	118-470	118-470	118-470
	TV/UHF		470-830	470-830	470-830	470-830	470-830	470-830
	R		-	-	-	-	10-108	10-108
Pass through attenuation	SAT	dB	13	12.1	10.3	13	4.1	4.2
	TV/VHF		2.2	4.5	10.8	2.2	1.5	4.9
	TV/UHF		1	4.8	12.3	1	2.7	5.1
	R		-	-	-	-	14.8	16.8
Outlet attenuation		dB	-	0.5	0.5	-	0.5	0.5
DC Current			in SAT outlet	in SAT outlet	in SAT outlet	in SAT outlet	in SAT outlet	in SAT outlet
Outlets/line			1	4	4	1	4	4

Type		TV-SAT-SAT	SAT	
		Individual 1 dB	Ending 1 db	Intermediate 4 dB
Ref. white		EPH3600421	EPH3700121	EPH3700221
Ref. cream		EPH3600423	EPH3700123	EPH3700223
Loss		1	1	4
Operating Frequency	SAT	MHz	950-2400	950-2400
	TV/VHF		118-470	118-470
	TV/UHF		470-830	470-830
	R		-	10-108
Pass through attenuation	SAT	dB	13	4.1
	TV/VHF		2.2	1.5
	TV/UHF		1	2.7
	R		-	14.8
Outlet attenuation		dB	-	0.5
DC Current			in SAT outlet	in SAT outlet
Outlets/line			1	4

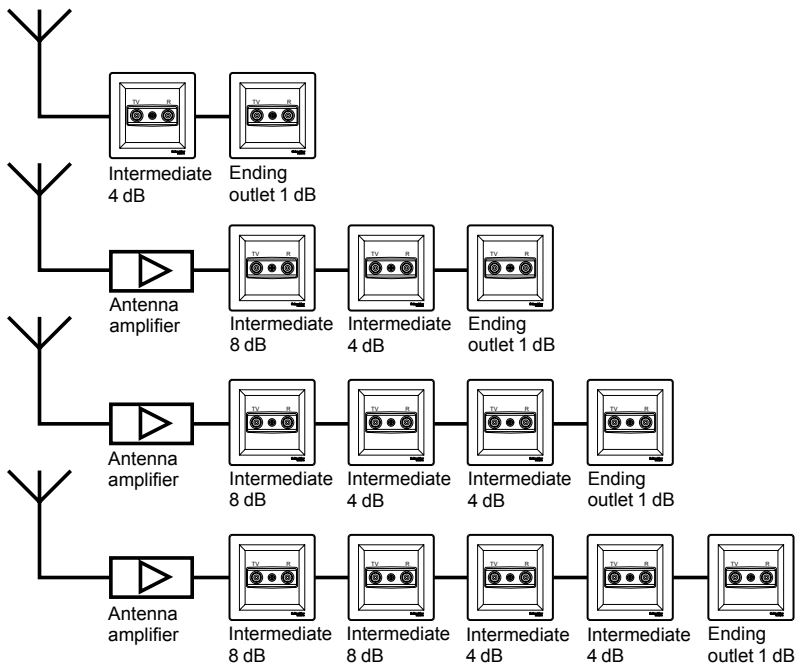
Only one of the outlets in "Ending TV / R outlet" can also be used as individual one.

Only the cable connected outlet in "Individual TV / SAT outlet" can be used as ending one in linear installation.

TV/R applications

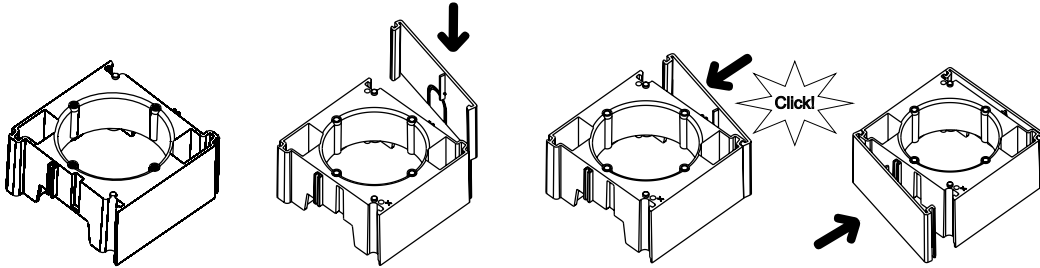


Linear installation inserts intermediate 4 dB, 8 dB and end of line 1 dB (always in the end)



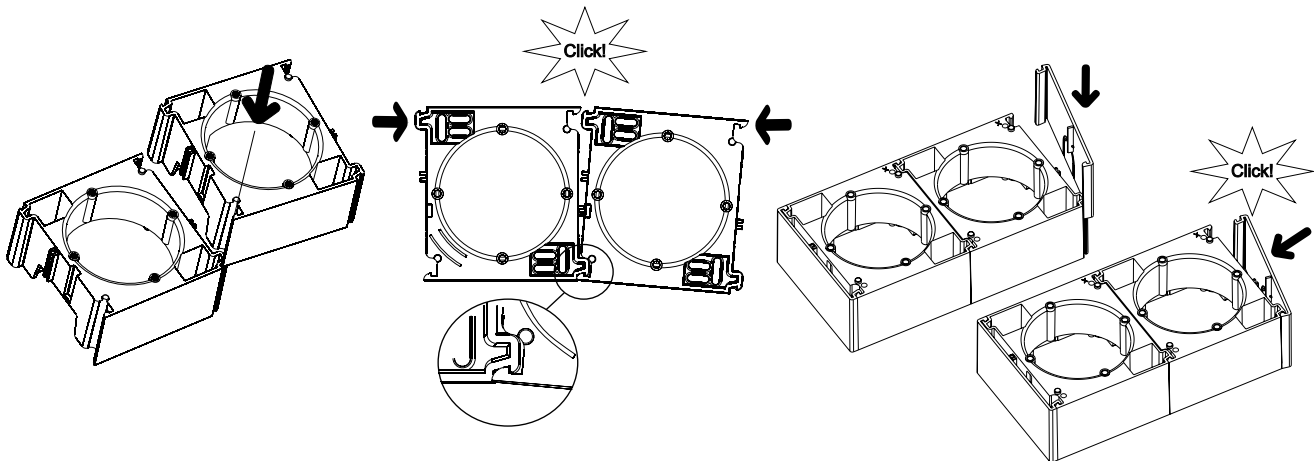
1 gang mounting

(EPH610012x)

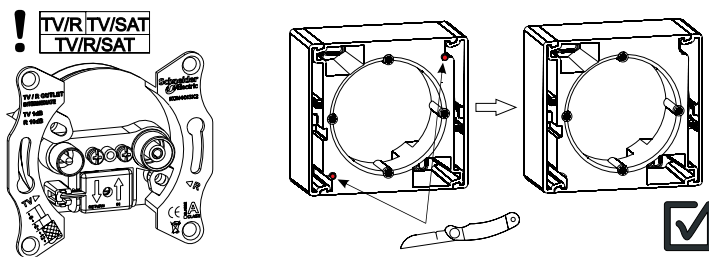


Multi-gang mounting

(EPH610012x + EPH610022x)

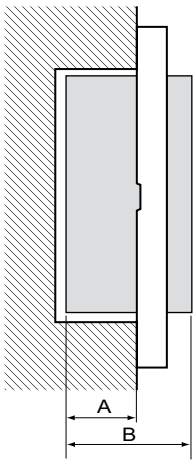


Mounting with TV/R, TV/SAT, TV/R/SAT outlets



Technical information

Dimensions



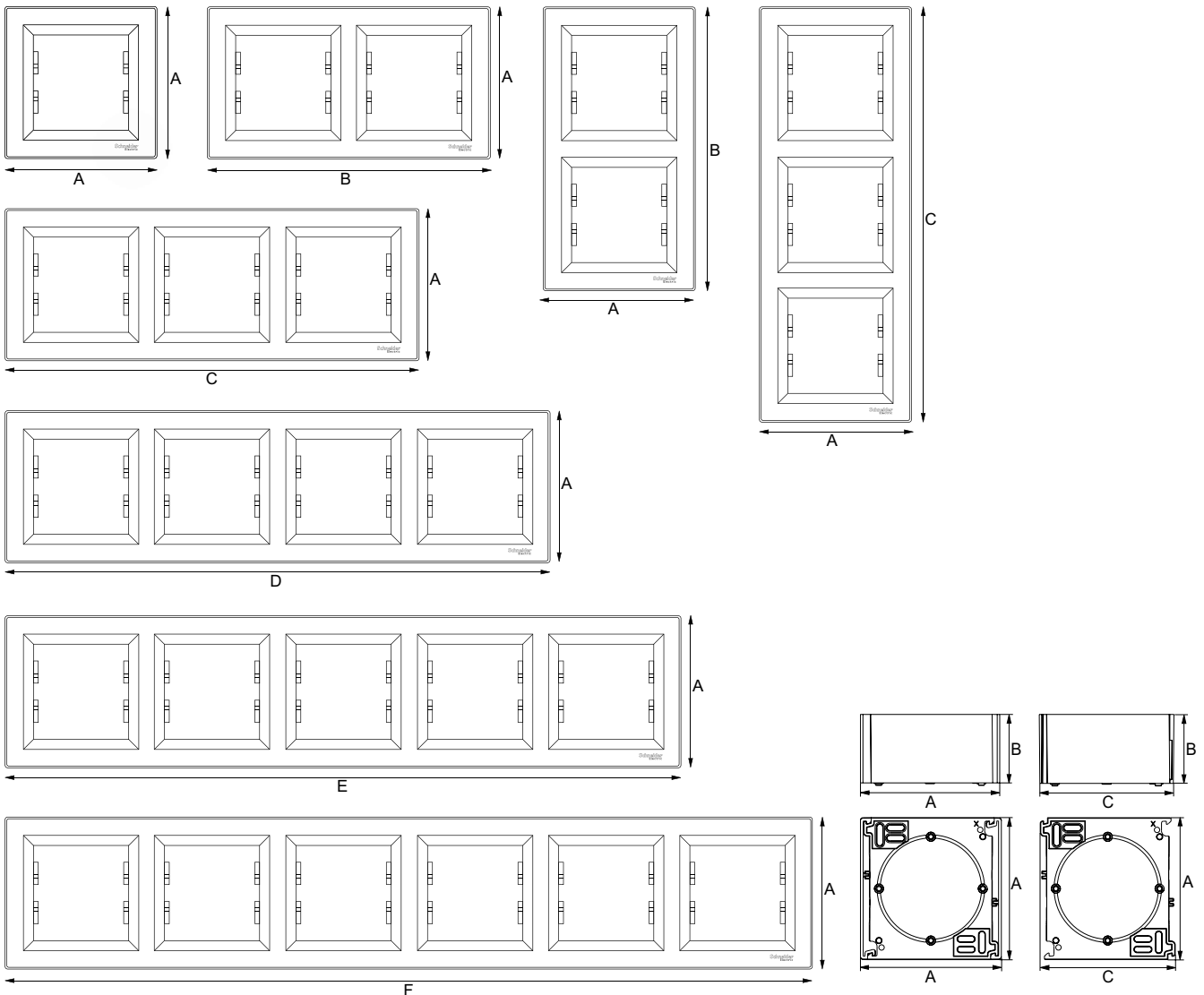
A: Embedding depth
B: Depth

Ref.	A: (mm)	B: (mm)
EPH010012x	27	42
EPH010022x	27	42
EPH010032x	27	42
EPH020012x	27	42
EPH020032x	27	42
EPH030012x	27	42
EPH030032x	27	42
EPH040012x	27	42
EPH040032x	27	42
EPH040042x	27	42
EPH050012x	27	42
EPH050032x	27	42
EPH060012x	27	42
EPH060032x	27	42
EPH070012x	27	42
EPH080012x	27	42
EPH080032x	27	42
EPH090012x	27	42
EPH110012x	27	42
EPH110032x	27	42

Ref.	A: (mm)	B: (mm)
EPH130012x	27	42
EPH130032x	27	42
EPH130052x	27	42
EPH140012x	27	42
EPH140032x	27	42
EPH143032x	27	42
EPH150012x	27	42
EPH150032x	27	42
EPH160012x	27	42
EPH160032x	27	42
EPH170012x	27	42
EPH170032x	27	42
EPH180012x	27	42
EPH190032x	27	42
EPH280012x	32	42
EPH280022x	32	42
EPH280032x	31	48
EPH280042x	32	42
EPH290012x	32	42
EPH290022x	32	42

Ref.	A: (mm)	B: (mm)
EPH290052x	32	42
EPH300012x	32	42
EPH310012x	32	47
EPH310032x	32	42
EPH320012x	28	38
EPH320022x	28	38
EPH320032x	28	38
EPH330012x	28	38
EPH330022x	28	38
EPH330032x	28	38
EPH340012x	29	42
EPH340022x	29	42
EPH340032x	29	42
EPH340042x	29	42
EPH350012x	29	42
EPH350022x	29	42
EPH350032x	29	42
EPH360012x	29	42
EPH370012x	29	42
EPH370022x	29	42

Ref.	A: (mm)	B: (mm)
EPH410012x	29	38
EPH420012x	29	38
EPH430012x	27	36
EPH440012x	27	36
EPH470012x	27	36
EPH480012x	27	36
EPH490012x	27	36
EPH500012x	39	48
EPH560012x	26	35
EPH570012x	26	43
EPH620012x	29	52
EPH630012x	29	52
EPH640012x	29	49
EPH650012x	29	49
EPH660012x	29	49
EPH970012x	23	46
EPH970022x	23	46
EPH980012x	23	46
EPH980022x	23	46
EPH990012x	23	46



Horizontal and vertical frames (mm)

1 gang		2 gang		3 gang		4 gang		5 gang		6 gang	
A	B	C	D	E	F	A	B	C	D	E	F
83	154	225	296	367	439						

Surface-mounted boxes (mm)

1 gang		Extension		
A	B	A	B	C
82	40	82	40	78

Ref. page		
EPH0100121.....6	EPH3100123.....8	EPH9700221.....8
EPH0100123.....6	EPH3100321.....8	EPH9700223.....8
EPH0100221.....6	EPH3100323.....8	EPH9800121.....8
EPH0100223.....6	EPH3200121.....9	EPH9800123.....8
EPH0100321.....6	EPH3200123.....9	EPH9800221.....8
EPH0100323.....6	EPH3200221.....9	EPH9800223.....8
EPH0200121.....6	EPH3200223.....9	EPH9900121.....8
EPH0200123.....6	EPH3200321.....9	EPH9900123.....8
EPH0200321.....6	EPH3200323.....9	
EPH0200323.....6	EPH3300121.....9	
EPH0300121.....6	EPH3300123.....9	
EPH0300123.....6	EPH3300221.....9	
EPH0300321.....6	EPH3300223.....9	
EPH0300323.....6	EPH3300321.....9	
EPH0400121.....6	EPH3300323.....9	
EPH0400123.....6	EPH3400121.....9	
EPH0400321.....6	EPH3400123.....9	
EPH0400323.....6	EPH3400221.....9	
EPH0400421.....6	EPH3400223.....9	
EPH0400423.....6	EPH3400321.....9	
EPH0500121.....6	EPH3400323.....9	
EPH0500123.....6	EPH3400421.....9	
EPH0500321.....6	EPH3400423.....9	
EPH0500323.....6	EPH3500121.....9	
EPH0600121.....6	EPH3500123.....9	
EPH0600123.....6	EPH3500221.....9	
EPH0600321.....6	EPH3500223.....9	
EPH0600323.....6	EPH3500321.....9	
EPH0700121.....6	EPH3500323.....9	
EPH0700123.....6	EPH3600121.....9	
EPH0800121.....6	EPH3600123.....9	
EPH0800123.....6	EPH3700121.....9	
EPH0800321.....6	EPH3700123.....9	
EPH0800323.....6	EPH3700221.....9	
EPH0900121.....6	EPH3700223.....9	
EPH0900123.....6	EPH4100121.....9	
EPH1100121.....6	EPH4100123.....9	
EPH1100123.....6	EPH4200121.....9	
EPH1100321.....6	EPH4200123.....9	
EPH1100323.....6	EPH4300121.....9	
EPH1300121.....7	EPH4300123.....9	
EPH1300123.....7	EPH4400121.....9	
EPH1300321.....7	EPH4400123.....9	
EPH1300323.....7	EPH4700121.....9	
EPH1300521.....7	EPH4700123.....9	
EPH1300523.....7	EPH4800121.....9	
EPH1400121.....6	EPH4800123.....9	
EPH1400123.....6	EPH4900121.....9	
EPH1400321.....6	EPH4900123.....9	
EPH1400323.....6	EPH5000121.....9	
EPH1430321.....6	EPH5000123.....9	
EPH1430323.....6	EPH5600121.....11	
EPH1500121.....6	EPH5600123.....11	
EPH1500123.....6	EPH5700121.....9	
EPH1500321.....6	EPH5700123.....9	
EPH1500323.....6	EPH5800121.....11	
EPH1600121.....6	EPH5800123.....11	
EPH1600123.....6	EPH5800221.....11	
EPH1600321.....6	EPH5800223.....11	
EPH1600323.....6	EPH5800321.....11	
EPH1700121.....6	EPH5800323.....11	
EPH1700123.....6	EPH5800421.....11	
EPH1700321.....6	EPH5800423.....11	
EPH1700323.....6	EPH5800521.....11	
EPH1800121.....6	EPH5800523.....11	
EPH1800123.....6	EPH5800621.....11	
EPH1900321.....6	EPH5800623.....11	
EPH1900323.....6	EPH5810221.....11	
EPH2800121.....8	EPH5810223.....11	
EPH2800123.....8	EPH5810321.....11	
EPH2800221.....8	EPH5810323.....11	
EPH2800223.....8	EPH6100121.....11	
EPH2800321.....8	EPH6100123.....11	
EPH2800323.....8	EPH6100221.....11	
EPH2800421.....8	EPH6100223.....11	
EPH2800423.....8	EPH6200121.....7	
EPH2900121.....8	EPH6200123.....7	
EPH2900123.....8	EPH6400121.....10	
EPH2900221.....8	EPH6400123.....10	
EPH2900223.....8	EPH6500121.....10	
EPH2900521.....8	EPH6500123.....10	
EPH2900523.....8	EPH6600121.....10	
EPH3000121.....8	EPH6600123.....10	
EPH3000123.....8	EPH9700121.....8	
EPH3100121.....8	EPH9700123.....8	

Schneider Electric Industries SAS

35, rue Joseph Monier
CS 30323
F- 92506 Rueil Malmaison Cedex

RCS Nanterre 954 503 439
Capital social 896 313 776 €
www.schneider-electric.com

As standards, specifications and designs change from time to time, please ask for confirmation of the information given in this publication.



This document has been printed on ecological paper

Design: Schneider Electric, Arriba
Photos: Kalice, CBJ Créations
Printed: